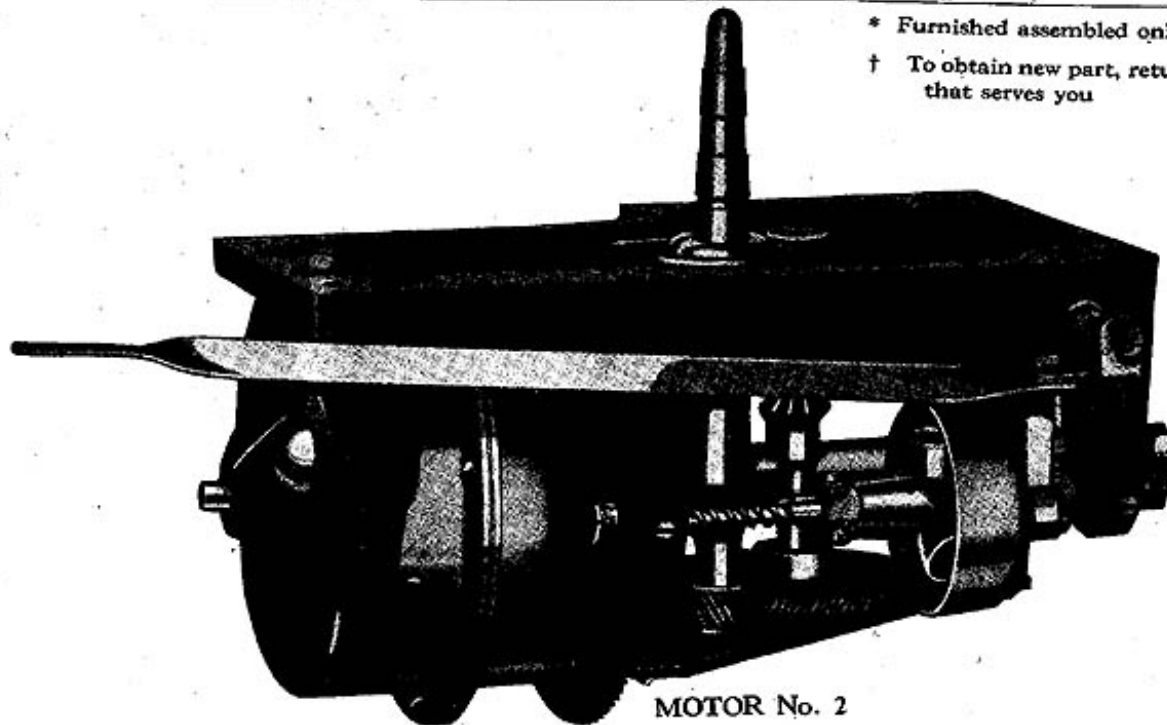


## Repair Parts for the No. 2 Motor

Part No.	Description	Net Price to Brunswick Dealers	Part No.	Description	Net Price to Brunswick Dealers	Part No.	Description	Net Price to Brunswick Dealers
<b>SPRING BARREL UNIT</b>								
E60	Main Spring.....		B68	Governor Spring Nut.....		3-38	Equalizer Felt Insert.....	
2-61	Spring Plate.....		*B418	Governor Spring and Weight.....		3-34	Speed Regulator Spring.....	
*2-415	Left-hand Spring Barrel (screw holes not threaded).....		B69	Governor Nut Set Screw.....		3-40	Speed Regulator Screw.....	
*2-416	Right-hand Spring Barrel (screw holes threaded).....		B67	Governor Spring Screw.....		<b>TURNTABLE UNIT</b>		
*3-411	Main Gear with Hub.....		B65	Governor Spring Washer.....		*3-403	Turntable Shaft.....	
*3-412	Winding Sleeve with Spring Hook.....		3-73	Governor Bearing Set Screw.....		3-29	Turntable Shaft Felt Washer.....	
*3-431	Spring Drive Shaft.....		3-417	Governor complete.....		3-20	Turntable Shaft Lubricating Cap.....	
3-8	Spring Barrel Shaft Set Screw.....		<b>MOTOR FRAME CASTING UNIT</b>					
3-62	Spring Barrel Felt Washer.....		†3-1	Motor Frame Casting.....		<b>WINDING CRANK UNIT</b>		
3-32	Collar on Spring Shaft.....		*3-434	Bevel Gear Shaft.....		*2-422	Winding Crank complete, N. P.....	
3-31	Spring Shaft Felt Dust Washer.....		*3-405	Intermediate Shaft and Gear.....		*2-401	Crank Shaft.....	
B98	Spring Barrel Plate Screws.....		B110	Intermediate Shaft Washer.....		3-7	Winding Shaft Collar.....	
3-28	Spring Shaft Dished Washer.....		*3-433	Motor Frame Plate.....		3-8	Winding Shaft Collar Set Screw.....	
1	Spring Barrel Cotter Pin.....		3-3	Motor Frame Plate Screws.....		3-108	Escutcheon only, N. P.....	
<b>GOVERNOR UNIT</b>								
*3-419	Governor Shaft Bearings.....		*3-432	Outer Motor Plate.....		2-109	Escutcheon Washer.....	
3-70	Governor Shaft.....		3-24	Outer Motor Plate Screws.....		2	Escutcheon Screws.....	
B63	Governor Protector.....		<b>REGULATOR UNIT</b>					
<b>TOP PLATE UNIT</b>								
See Page 20-21								

\* Furnished assembled only

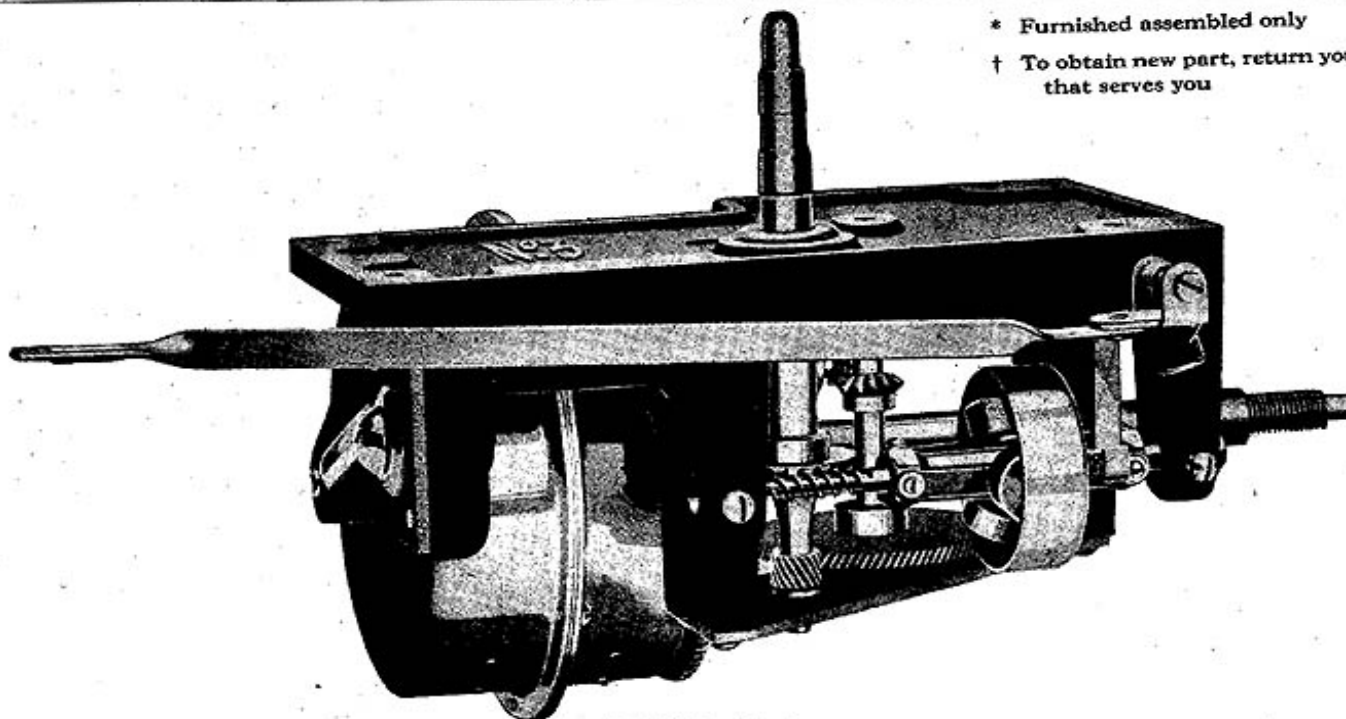
† To obtain new part, return your old one to our branch that serves you



MOTOR No. 2

## Repair Parts for the No. 3 Motor

Part No.	Description	Net Price to Brunswick Dealers	Part No.	Description	Net Price to Brunswick Dealers	Part No.	Description	Net Price to Brunswick Dealers
<b>SPRING BARREL UNIT</b>								
B60	Main Spring.....		*B418	Governor Spring and Weight.....		3-40	Speed Regulator Screw.....	
3-61	Spring Plate.....		B69	Governor Nut Set Screw.....		3-35	Equalizer lever yoke screw.....	
*3-415	Left-hand Spring Barrel (screw holes not threaded).....		B67	Governor Spring Screw.....		<b>TURNTABLE UNIT</b>		
*3-416	Right-hand Spring Barrel (screw hole threaded).....		B65	Governor Spring Washer.....		*3-403	Turntable Shaft.....	
*3-411	Main Gear with Hub.....		3-73	Governor Bearing Set Screw.....		3-29	Turntable Shaft Felt Washer.....	
*3-412	Winding Sleeve with Spring Hook.....		3-417	Governor complete.....		3-20	Turntable Shaft Lubricating Cap.....	
3-431	Spring Drive Shaft.....		<b>MOTOR FRAME CASTING UNIT</b>					
3-8	Spring Barrel Shaft Set Screw.....		†3-4	Motor Frame Casting.....		<b>WINDING CRANK UNIT</b>		
3-62	Spring Barrel Felt Washer.....		*3-434	Bevel Gear Shaft.....		3-421	Winding Crank and Screw, N. P.....	
3-32	Collar on Spring Shaft.....		*3-405	Intermediate Shaft and Gear.....		3-422	Winding Crank complete, N. P.....	
3-31	Spring Shaft Felt Dust Washer.....		B110	Intermediate Shaft Washer.....		B81	Winding Crank Handle.....	
B98	Spring Barrel Plate Screws.....		*3-433	Motor Frame Plate.....		B83	Winding Crank Handle Screw.....	
3-28	Spring Shaft Dished Washer.....		3-3	Motor Frame Plate Screws.....		*3-401	Crank Shaft.....	
1	Spring Barrel Cotter Pin.....		*3-432	Outer Motor Plate.....		3-7	Winding Shaft Collar.....	
<b>GOVERNOR UNIT</b>								
*3-419	Governor Shaft Bearings.....		3-24	Outer Motor Plate Screws.....		3-8	Winding Shaft Collar Set Screw.....	
3-70	Governor Shaft.....		<b>REGULATOR UNIT</b>					
B63	Governor Protector.....		3-437	Speed Tabulator, N. P.....		3-108	Escutcheon only, N. P.....	
B68	Governor Spring Nut.....		3-75	Equalizer Lever Yoke.....		3-109	Escutcheon Washer.....	
			*3-408	Speed Regulator Arm.....		2	Escutcheon Screws.....	
			3-38	Equalizer Felt Insert.....		<b>TOP PLATE UNIT</b>		
			3-34	Speed Regulator Spring.....		See Page 20-21		



MOTOR No. 3

\* Furnished assembled only

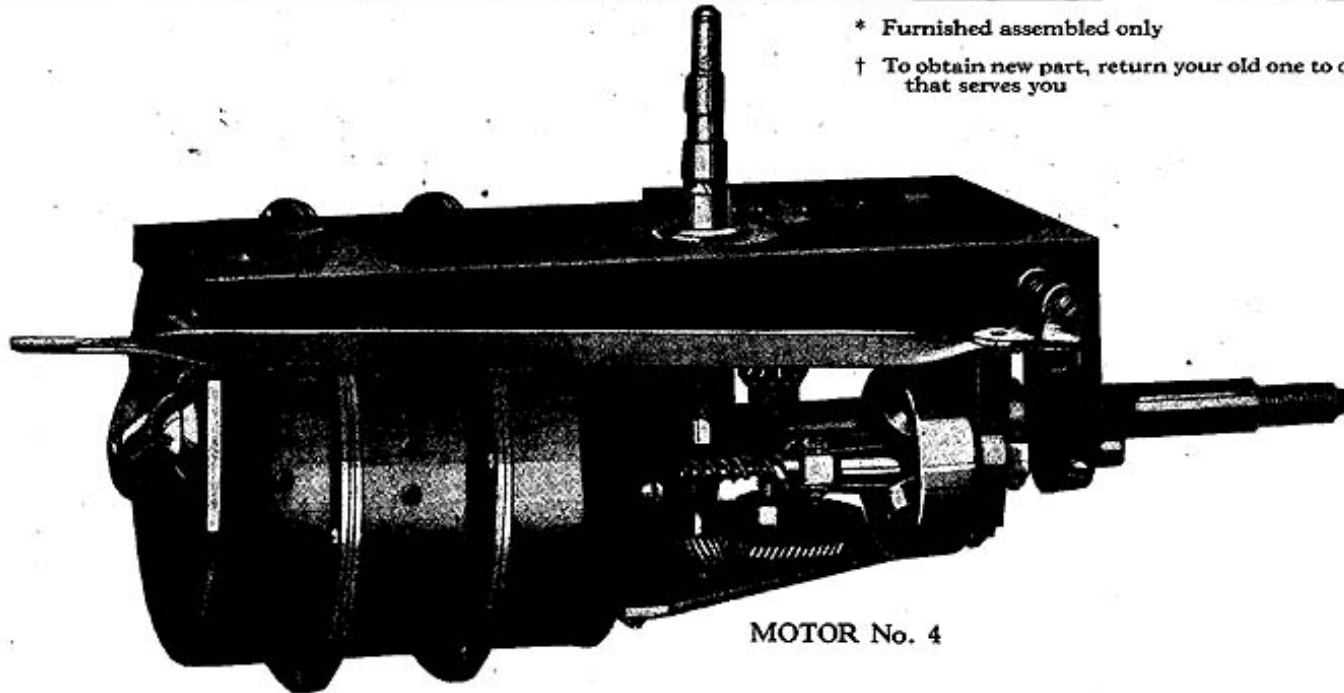
† To obtain new part, return your old one to our branch that serves you

## Repair Parts for the No. 4 Motor

Part No.	Description	Net Price to Brunswick Dealers	Part No.	Description	Net Price to Brunswick Dealers	Part No.	Description	Net Price to Brunswick Dealers
<b><u>SPRING BARREL UNIT</u></b>								
B60	Main Spring.....		3-70	Governor Shaft.....		3-38	Equalizer Felt Insert.....	
3-61	Center Spring Plate.....		B63	Governor Protector.....		3-34	Speed Regulator Spring.....	
*4-415	Left-hand Spring Barrel (screw holes not threaded).....		B68	Governor Spring Nut.....		3-40	Speed Regulator Screw.....	
*4-416	Right-hand Spring Barrel (screw holes threaded).....		*B418	Governor Spring and Weight.....		<b><u>TURNTABLE UNIT</u></b>		
4-414	Main Gear, with Sp. B'1 (screw holes th'd'd).....		B69	Governor Nut Set Screw.....		*3-403	Turntable Shaft.....	
3-61A	Outer Spring Plate.....		B67	Governor Spring Screw.....		3-29	Turntable Shaft Felt Washer.....	
4-412	Double Spring Barrel Sleeve.....		B65	Governor Spring Washer.....		3-20	Turntable Shaft Lubricating Cap.....	
4-413	Single Spring Barrel Sleeve.....		3-73	Governor Bearing Set Screw.....		<b><u>WINDING CRANK UNIT</u></b>		
3-30	Spring Barrel Gasket.....		3-417	Governor complete.....		3-421	Winding Crank and Screw, G. P.....	
3-62	Spring Barrel Felt Washer.....		<b><u>MOTOR FRAME CASTING UNIT</u></b>			3-422	Winding Crank complete, G. P.....	
4-411	Winding Sleeve with Spring Hook.....		†4-1	Motor Frame.....		B81	Winding Crank Handle.....	
4-431	Spring Drive Shaft.....		*3-434	Bevel Gear Shaft.....		B83	Winding Crank Screw.....	
3-8	Spring Barrel Shaft Set Screw.....		*3-405	Intermediate Shaft and Gear.....		*4-401	Crank Shaft.....	
3-32	Collar on Spring Shaft.....		B110	Intermediate Shaft Washer.....		3-7	Winding Shaft Collar.....	
3-31	Spring Shaft Felt Dust Washer.....		*3-433	Motor Frame Plate.....		3-8	Winding Shaft Collar Set Screw.....	
B98	Spring Barrel Plate Screw (extra long).....		3-3	Motor Frame Plate Screw.....		3-108	Escutcheon only, G. P.....	
3-28	Spring Shaft Dished Washer.....		3-432	Outer Motor Plate.....		3-109	Escutcheon Washer.....	
1	Spring Barrel Cotter Pin.....		3-24	Outer Motor Plate Screw.....		2	Escutcheon Screws.....	
<b><u>GOVERNOR UNIT</u></b>								
*3-419	Governor Shaft Bearings.....		3-437	Speed Tabulator, N. P. or G. P.....		<b><u>TOP PLATE UNIT</u></b>		
			3-75	Equalizer Lever Yoke.....		See Page 20-21		
			*3-408	Speed Regulator Arm.....				

\* Furnished assembled only

† To obtain new part, return your old one to our branch that serves you



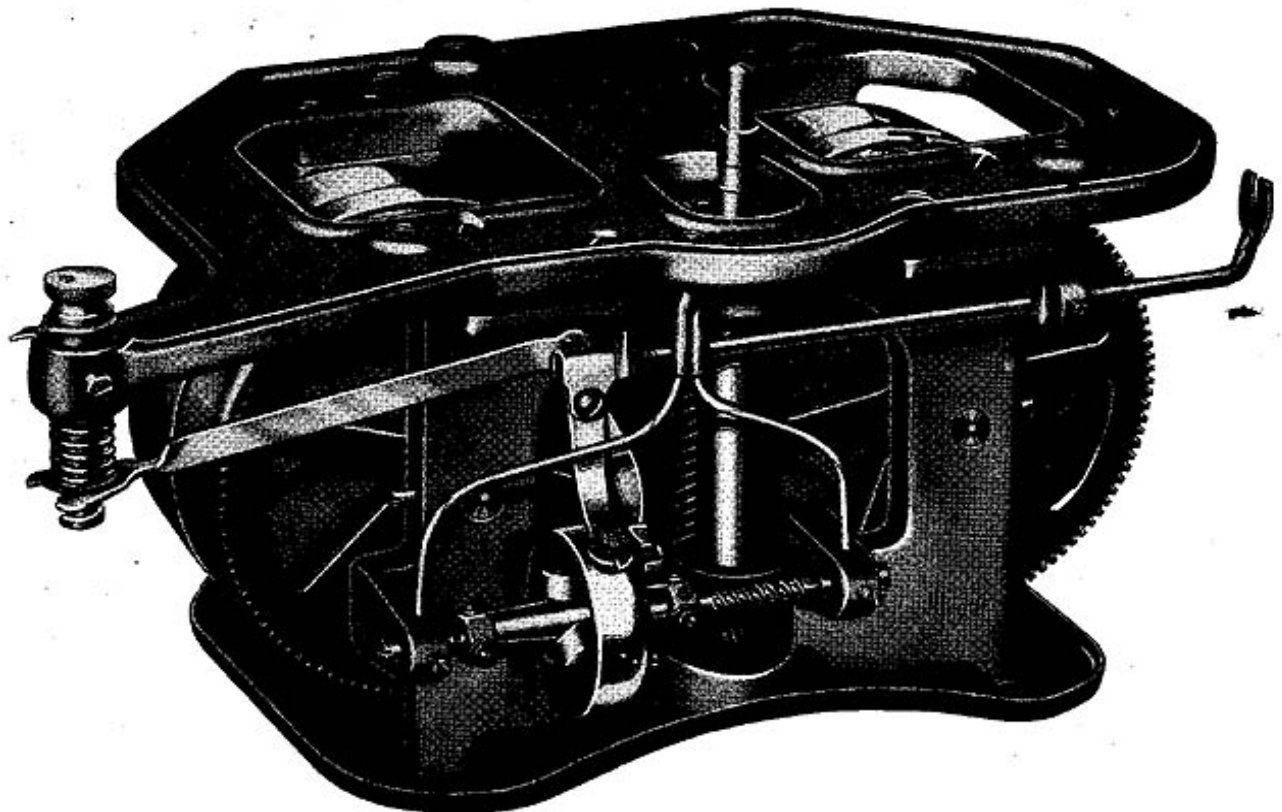
MOTOR No. 4

## Repair Parts for the Type "B" Motor

For 117, 217, 122, 127, 135, BR260, BR360, BR460 Stratford and Cambridge Models

Part No.	Description	Net Price to Brunswick Dealers	Part No.	Description	Net Price to Brunswick Dealers	Part No.	Description	Net Price to Brunswick Dealers
<b>SPRING BARREL UNIT</b>			B83	Winding Crank Screw, G. P.		*B402	Spring Housing with Pawl	
B60	Main Spring		B422	Winding Crank complete G. P.		B15	Winding Pawl Screw	
B61	Center Spring Plate		*B401	Crank Shaft		<b>TOP PLATE UNIT</b>		
B416	Left-hand Spring Barrel		*B438A	Escutcheon and Washer, G. P. (3-hole type)		See Page 20-21		
B415	Right-hand Spring Barrel		2.	Escutcheon Screws, G. P.				
*B411	Right-hand Drive Gear with Hub and Spring Rivet							
*B412	Left-hand Drive Gear with Hub and Spring Rivet							
B16	Spring Barrel Shaft							
*B413	Right-hand Winding Gear with Hub and Spring Rivet							
*B414	Left-hand Winding Gear with Hub and Spring Rivet							
B17	Spring Barrel Shaft Set Screw							
B405	Drive Shaft							
B406	Upper Drive Shaft Bearing							
B404	Lower Drive Shaft Bearing							
B62	Oil Plug Screw							
<b>GOVERNOR UNIT</b>								
*B419	Governor Bearing and Ball							
B70	Governor Shaft							
B63	Governor Protector							
B68	Governor Spring Nut							
*B418	Governor Spring and Weight							
B69	Governor Nut Set Screw							
B67	Governor Spring Screw							
B65	Governor Spring Washer							
B73	Governor Bearing Set Screw							
†B410	Governor Oil Tube							
B417	Governor complete							
<b>MOTOR FRAME CASTING UNIT</b>								
†B400	Motor Frame complete							
B74	Oil Drip Pan							
B27	Oil Drip Pan Screw							
<b>REGULATOR UNIT</b>								
B407A	Indicator Knob and Screw, G. P.							
B34	Indicator Spring							
B35	Indicator Flanged Washer							
*B408	Equalizer Lever							
B38	Equalizer Felt Insert							
B33	Indicator Pin Retaining Screw							
B40	Equalizer Lever Screw							
B118	Tabulator Set Screw, G. P.							
<b>TURNTABLE UNIT</b>								
*B403	Turntable Shaft							
B20	Turntable Shaft Upper Bearing							
B26	Turntable Upper Bearing Clamp							
*B404	Lower Turntable Shaft Bearing							
B28	Turntable Shaft and Drive Shaft Lower Bearing Clamp							
B27	Screw for Upper and Lower Bearing Clamp Also See Page 19							
<b>WINDING CRANK UNIT</b>								
B421	Winding Crank and Screw, G. P.							
B81	Winding Crank Handle							
B9	Winding Pinion Pin							

- \* Furnished assembled only
- † To obtain new part, return your old one to our branch that serves you
- †† Not included in complete governor; order separate



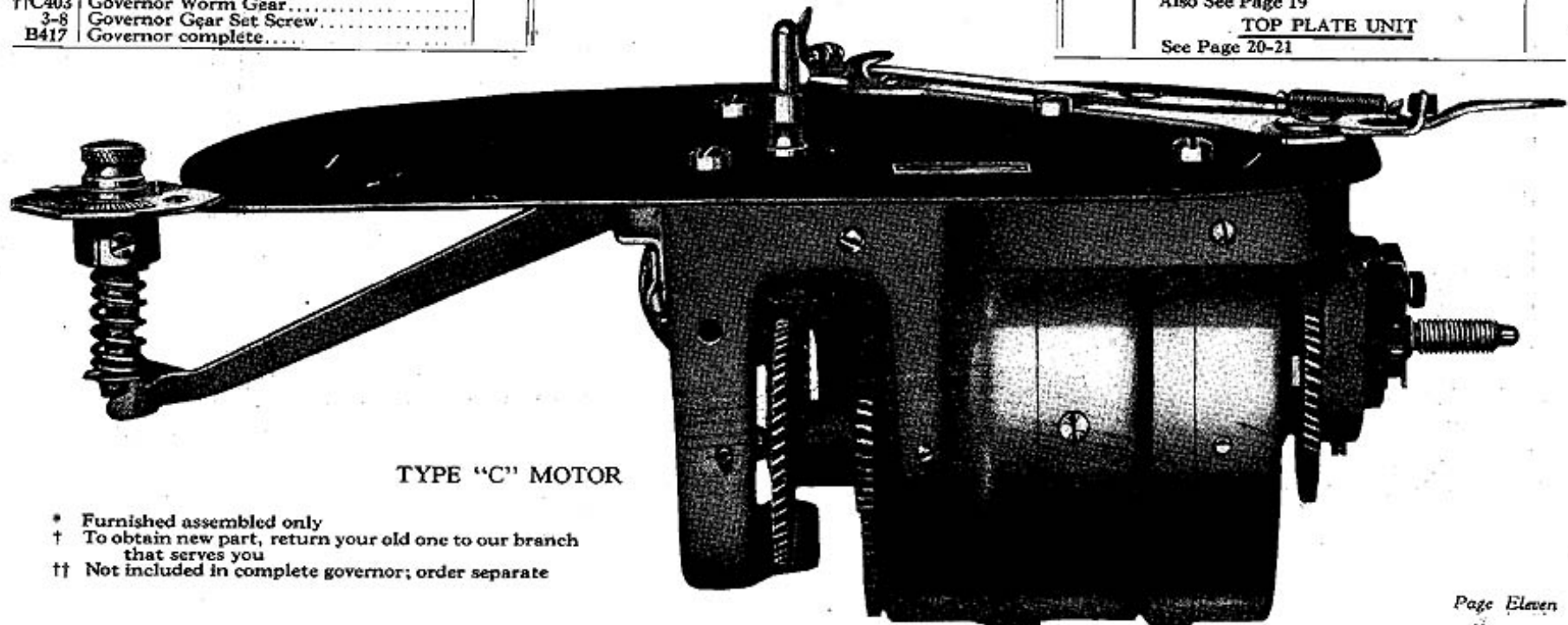
TYPE "B" MOTOR



# Repair Parts for the Type "C" Motor

For 212, BR50, BR60, BR100, BR160, Queen Anne, Colonial, Raleigh and Tador Models

Part No.	Description	Net Price to Brunswick Dealers	Part No.	Description	Net Price to Brunswick Dealers	Part No.	Description	Net Price to Brunswick Dealers
<b>SPRING BARREL UNIT</b>			<b>MOTOR FRAME CASTING UNIT</b>			B98A	Regulator Clamp Screw.....	
B60	Main Spring.....		†C1	Motor Frame.....		B118	Tabulator Set Screw, G. P. .02 N. P. ....	
B61	Center Spring Plate.....		*C404	Intermediate Shaft Bearing.....		<b>TURNTABLE UNIT</b>		
*D415	Right-hand Spring Barrel.....		*C405	Intermediate Gear.....		C18	Turntable Shaft.....	
*D416	Left-hand Spring Barrel.....		B73	Intermediate Gear Bearing Screws.....		3-29	Felt Washer for Turntable Shaft.....	
*C414	Spring Barrel Cover with Sleeve and Rivet.....		C437	Oil Drip Pan.....		3-20	Turntable Shaft Lubricating Cap.....	
*C415	Single Spring Barrel.....		B46	Oil Drip Pan Screws.....		<b>WINDING CRANK UNIT</b>		
*C411	Drive Gear with Hub and Spring Rivet.....		<b>REGULATOR UNIT</b>			SP421A	Winding Crank and Screw, N. P. ....	
C16	Spring Barrel Shaft.....		*C407	Indicator, N. P., \$ .25 or G. P. ....		B81	Winding Crank Handle.....	
*C413	Winding Gear and Hub with Rivet.....		*C436	Indicator Dial, N. P., \$ .25 or G. P. ....		B83	Winding Crank Screw, N. P. or G. P. ....	
B73	Spring Barrel Shaft Set Screws.....		C128	Dial Plate Screw, N. P. \$ .01 or G. P. ....		SP422A	Winding Crank complete, N. P. ....	
B62	Oil Plug Screw.....		B34	Indicator Spring.....		*C401	Winding Shaft and Ratchet.....	
<b>GOVERNOR UNIT</b>			B35	Indicator Flanged Washer.....		B438A	Escutcheon and Washer, N.P. (3-hole type)	
*B419	Governor Bearing and Ball.....		C38	Regulator Felt.....		B438A	Escutcheon and Washer, G.P. (3-hole type)	
B70	Governor Shaft.....		B33	Indicator Pin Retaining Screw.....		2	Escutcheon Screws, N. P. ....	
B63	Governor Protector.....		C44	Regulator Felt Retainer.....		2	Escutcheon Screws, G. P. ....	
B68	Governor Spring Nut.....		C40	Regulator Arm Screw.....		*B402	Spring Housing with Pawl.....	
*B418	Governor Spring and Weight.....		C440	Regulator Felt Retainer and Felt.....		B9	Winding Pinion Pin.....	
B69	Governor Nut Set Screw.....		C38	Indicator Stop Pin, N. P. \$ .01 or G. P. ....		C99	Oil Wick for Crank Shaft.....	
B67	Governor Spring Screw.....		*C408	Equalizer Lever.....		B15	Winding Pawl Screw.....	
B65	Governor Spring Washer.....					<b>TOP PLATE UNIT</b>		
B73	Governor Bearing Set Screw.....					See Page 20-21		
†C403	Governor Worm Gear.....							
3-8	Governor Gear Set Screw.....							
B417	Governor complete.....							

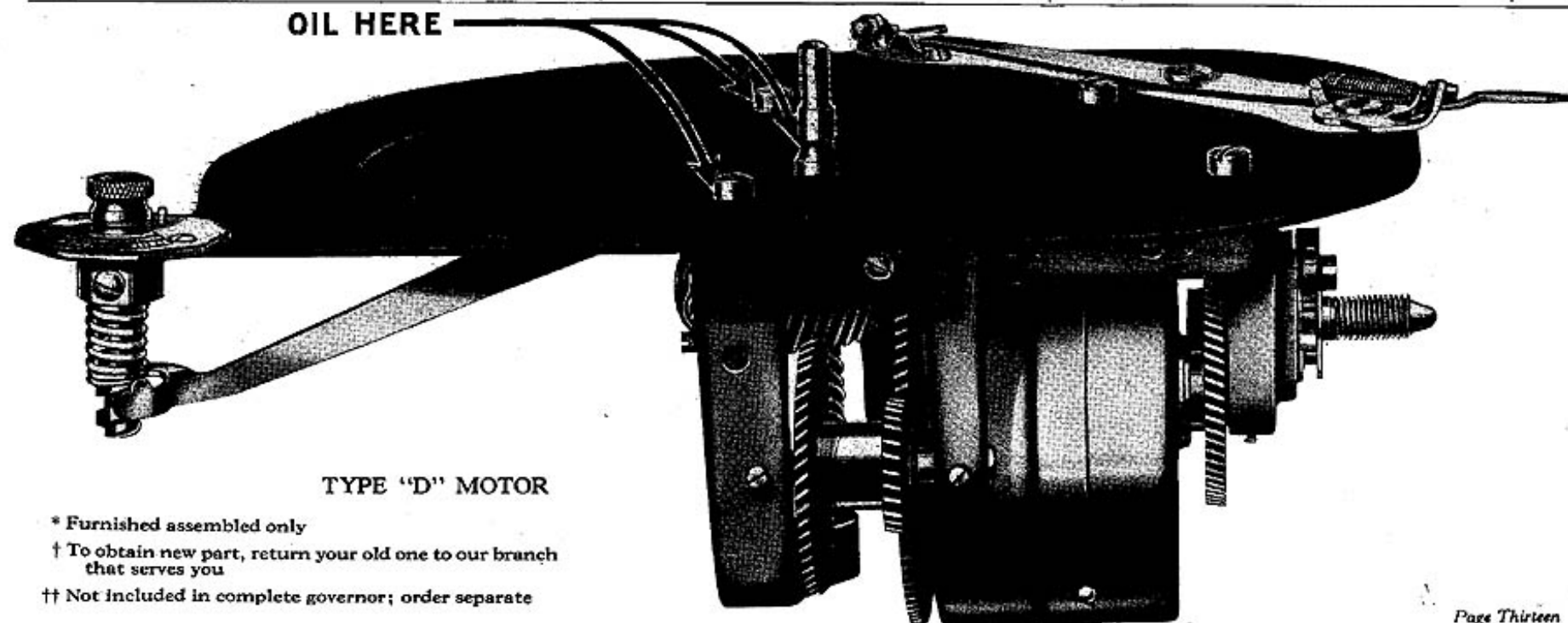


TYPE "C" MOTOR

- \* Furnished assembled only
- † To obtain new part, return your old one to our branch that serves you
- †† Not included in complete governor; order separate

## Repair Parts for the Type "D" Motor—For 200, 207, 210 BR35, Eton and York Models

Part No.	Description	Net Price to Brunswick Dealers	Part No.	Description	Net Price to Brunswick Dealers	Part No.	Description	Net Price to Brunswick Dealers
<b>SPRING BARREL UNIT</b>			<b>MOTOR FRAME CASTING UNIT</b>			<b>TURNTABLE UNIT</b>		
B60	Main Spring.....		†D1	Motor Frame.....		C18	Turntable Shaft.....	
B61	Center Spring Plate.....		*C404	Intermediate Shaft Bearing.....		3-29	Turntable Shaft Felt Washer.....	
*D416	Left-hand Spring Barrel.....		*C405	Intermediate Gear.....		3-20	Turntable Shaft Lubricating Cap.....	
*D415	Right-hand Spring Barrel.....		B73	Intermediate Gear Bearing Screws.....			Also See Page 19	
*C411	Drive Gear with Hub and Spring Rivet.....		<b>REGULATOR UNIT</b>			<b>WINDING CRANK UNIT</b>		
D16	Spring Barrel Shaft.....		*C407	Indicator, N. P.....		3-421	Winding Crank and Screw, N. P.....	
*C413	Winding Gear and Hub, with Rivet.....		*C436	Indicator Dial, N. P.....		B81	Winding Crank Handle.....	
B73	Spring Barrel Shaft Set Screw.....		C128	Dial Plate Screw, N. P.....		B83	Winding Crank Screw, N. P.....	
B62	Oil Plug Screws.....		B34	Indicator Spring.....		3-422	Winding Crank complete, N. P.....	
<b>GOVERNOR UNIT</b>			B35	Indicator Flanged Washer.....		*C401	Winding Shaft and Ratchet.....	
*B419	Governor Bearing and Ball.....		C38	Regulator Felt.....		B438A	Escutcheon and Washer, N. P. (3-hole type).....	
B70	Governor Shaft.....		B33	Indicator Pin Retaining Screw.....		72	Escutcheon Screws, N. P.....	
B63	Governor Protector.....		C44	Regulator Felt Retainer.....		*B402	Spring Housing with Pawl.....	
B68	Governor Spring Nut.....		C40	Regulator Arm Screw.....		B9	Winding Pinion Pin.....	
*B418	Governor Spring and Weight.....		C440	Regulator Felt Retainer and Felt.....		C99	Oil Wick for Crank Shaft.....	
B69	Governor Nut Set Screw.....		C88	Indicator Stop pin, N. P.....		B15	Winding Pawl Screw.....	
B67	Governor Spring Screw.....		C408	Equalizer Lever.....			Also See Page 19	
B65	Governor Spring Washer.....		B98A	Regulator Clamp Screw.....		<b>TOP PLATE UNIT</b>		
B73	Governor Bearing Set Screw.....		B118	Tabulator Set Screw, N. P.....		See Page 20-21		
3-8	Governor Gear Set Screw.....							
††C403	Governor Worm Gear.....							
B417	Governor complete.....							



TYPE "D" MOTOR

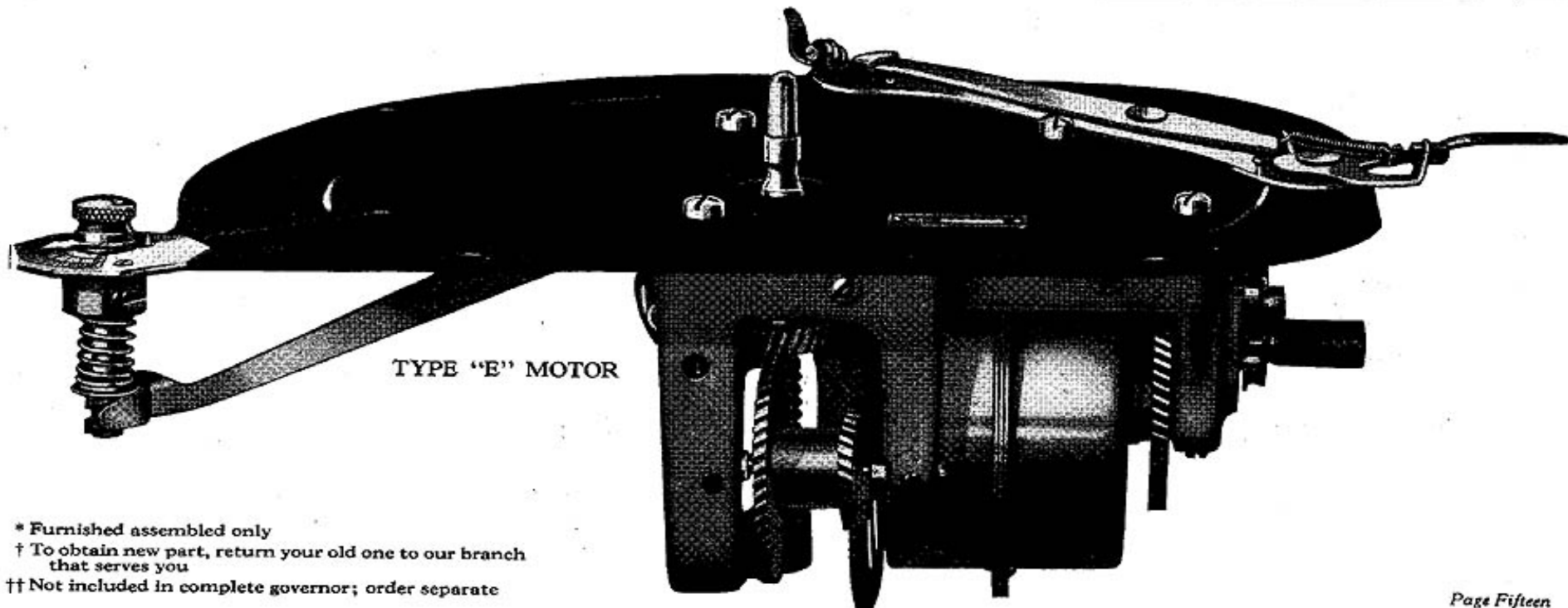
\* Furnished assembled only

† To obtain new part, return your old one to our branch that serves you

†† Not included in complete governor; order separate

## Repair Parts for the Type "E" Motor—For 103, 105, BR30, Arden and Royal Models

Part No.	Description	Net Price to Brunswick Dealers	Part No.	Description	Net Price to Brunswick Dealers	Part No.	Description	Net Price to Brunswick Dealers
<b>SPRING BARREL UNIT</b>								
E60	Main Spring.....		††C403	Governor Worm Gear.....		B98A	Regulator Clamp Screw.....	
E61	Center Spring Plate.....		B417	Governor complete.....		<b>TURNTABLE UNIT</b>		
*E415	Right-hand Spring Barrel (threaded).....		<b>MOTOR FRAME CASTING UNIT</b>					
*E416	Left-hand Spring Barrel (not threaded).....		†D1	Motor Frame.....		C18	Turntable Shaft.....	
*C411	Drive Gear with Hub and Spring Rivet.....		C404	Intermediate Shaft Bearings.....		3-29	Turntable Shaft Felt Washer.....	
D16	Spring Barrel Shaft.....		*C405	Intermediate Gear.....		3-20	Turntable Shaft Lubricating Cap.....	
*C413	Winding Gear and Hub, with Rivet.....		B73	Intermediate Gear Bearing Screws.....		<b>WINDING CRANK UNIT</b>		
B73	Spring Barrel Shaft Set Screw.....		<b>REGULATOR UNIT</b>					
B62	Oil Plug Screw.....		*C407	Indicator, N. P.....		E80	Winding Crank, N. P.....	
B98	Spring Barrel Plate Screw.....		*C436	Indicator Dial, N. P.....		E422	Winding Crank complete, N. P.....	
<b>GOVERNOR UNIT</b>								
*B419	Governor Bearing and Ball.....		C128	Dial Plate Screw, N. P.....		E81	Winding Crank Handle.....	
B70	Governor Shaft.....		B34	Indicator Spring.....		E83	Winding Crank Handle Screw, N. P.....	
B63	Governor Protector.....		B35	Indicator Flanged Washer.....		*E401	Winding Shaft and Ratchet.....	
B68	Governor Spring Nut.....		C38	Regulator Felt.....		E109	Escutcheon Washer.....	
*B418	Governor Spring and Weight.....		B33	Indicator Pin Retaining Screw.....		3-108	Escutcheon only, N. P.....	
B69	Governor Nut Set Screw.....		C44	Regulator Felt Retainer.....		2	Escutcheon Screws, N. P.....	
B67	Governor Spring Screw.....		C40	Regulator Arm Screw.....		B15	Winding Pawl Screw.....	
B65	Governor Spring Washer.....		C440	Regulator Felt Retainer and Felt.....		*B402	Spring Housing with Pawl.....	
B73	Governor Bearing Set Screw.....		C88	Indicator Stop pin, N. P.....		C99	Oil Wick for Crank Shaft.....	
3-8	Governor Gear Set Screw.....		*C408	Equalizer Lever.....		<b>TOP PLATE UNIT</b>		
			B118	Tabulator Set Screw.....		See Page 20-21		



TYPE "E" MOTOR

\* Furnished assembled only

† To obtain new part, return your old one to our branch that serves you

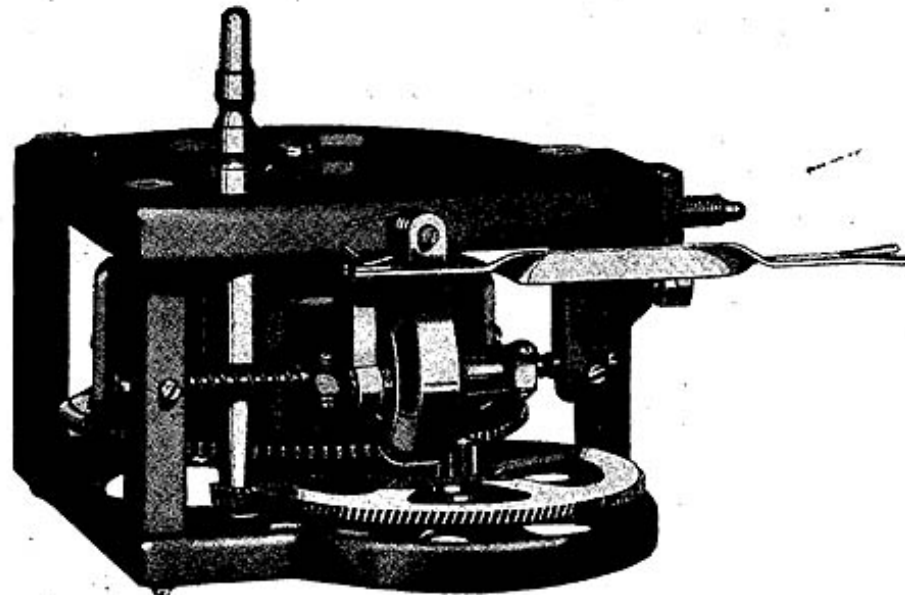
†† Not included in complete governor; order separate

## Repair Parts for the Type "F" Motor

For 85, 95 and 101 Models

Part No.	Description	Net Price to Brunswick Dealers	Part No.	Description	Net Price to Brunswick Dealers	Part No.	Description	Net Price to Brunswick Dealers
<b>SPRING BARREL UNIT</b>						<b>TURNTABLE UNIT</b>		
F60	Main Spring.....		3-8	Governor Gear Set Screw.....		*F403	Turntable Shaft.....	
*F415	Spring Barrel with Rivet.....		B417	Governor complete.....			Also See Page 19	
F52	Spring Barrel Drive Gear.....		<b>MOTOR FRAME CASTING UNIT</b>			<b>WINDING CRANK UNIT</b>		
*F413	Winding Gear and Hub.....		†F1	Upper Motor Frame { Sold only as 1 unit.		F421	Winding Crank and Screw, N. P.....	
F16	Spring Barrel Shaft.....		†F2	Lower Motor Frame {		F422	Winding Crank complete, N. P.....	
B62	Oil Plug Screw.....		*F405	Intermediate Shaft and Gear.....		B81	Winding Crank Handle.....	
B98A	Spring Barrel Screws.....		F4	Motor Frame Screw.....		B83	Winding Crank Handle Screw, N. P.....	
F135	Spring Barrel Shaft Collar.....		F5	Dowel Pin.....		*F401	Winding Shaft.....	
F136	Oil Guard Ring.....		<b>REGULATOR UNIT</b>			*B402	Winding Shaft Pawl and Spring.....	
F137	Felt Washer for Spring Barrel.....		*F407	Indicator, N. P.....		3-108	Escutcheon, N. P.....	
<b>GOVERNOR UNIT</b>						F109	Escutcheon Washer.....	
*B419	Governor Bearing and Ball.....		*C436	Indicator Dial, N. P.....		F132	Winding Shaft Bushing.....	
B70	Governor Shaft.....		C128	Dial Plate Screw, N. P.....		F134	Winding Shaft Thrust Washer.....	
B63	Governor Protector.....		B34	Indicator Spring.....		3-8	Winding Shaft Set Screw.....	
B68	Governor Spring Nut.....		B33	Indicator Pin Retaining Screw.....		F7	Winding Shaft Collar.....	
*B418	Governor Spring and Weight.....		B35	Indicator Flanged Washer.....		B15	Winding Pawl Screw.....	
B69	Governor Nut Set Screw.....		3-38	Equalizer Felt Insert.....		2	Escutcheon Screws.....	
B67	Governor Spring Screw.....		3-40	Speed Regulator Screw.....		F741	Winding Crank Clip.....	
B65	Governor Spring Washer.....		*F408	Speed Regulator Arm.....		<b>TOP PLATE UNIT</b>		
B73	Governor Bearing Set Screw.....		B118	Tabulator Set Screw.....		See Page 20-21		

- \* Furnished assembled only  
 † To obtain new part, return your old one to our branch that serves you

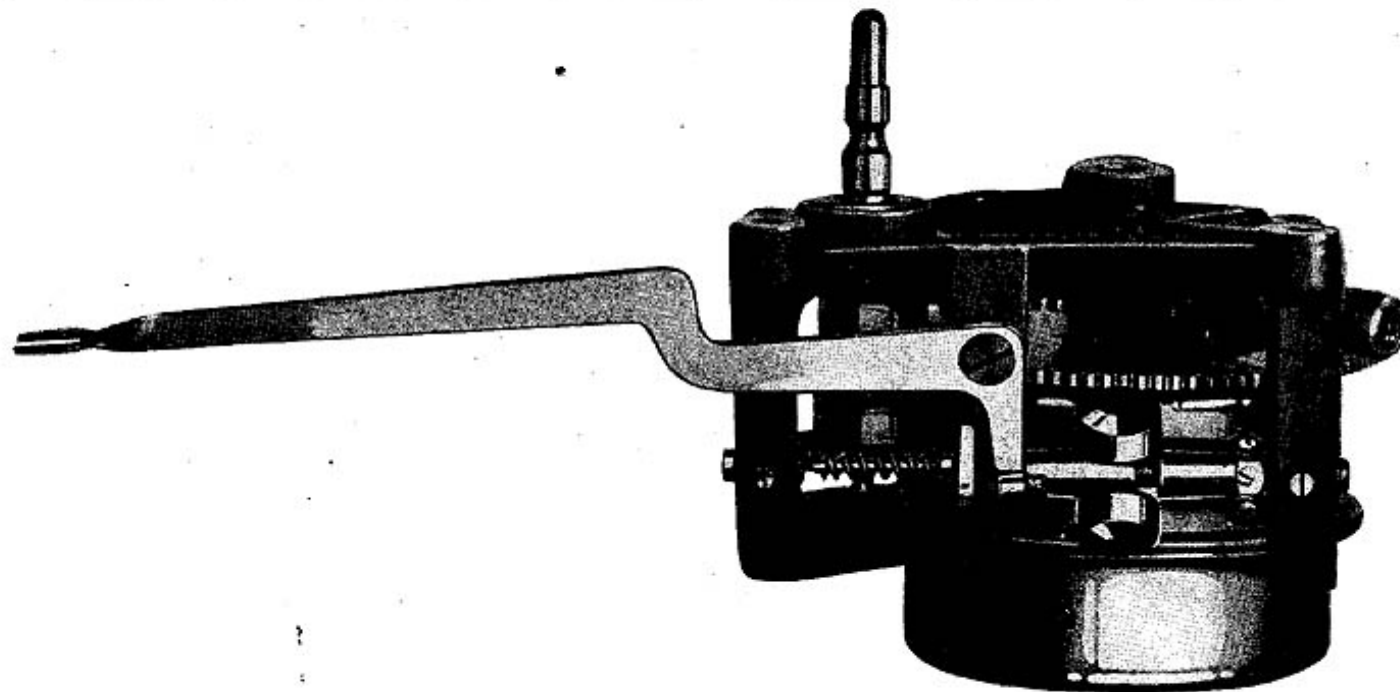


TYPE "F" MOTOR



## Repair Parts for Type "K" Motor — For Model 2KRO and No. 108 Portable

Part No.	Description	Net Price to Brunswick Dealers	Part No.	Description	Net Price to Brunswick Dealers	Part No.	Description	Net Price to Brunswick Dealers
	<b><u>SPRING BARREL UNIT</u></b>							
K415	Spring Barrel Assembly.....		B70	Governor Shaft.....		3-20	Turntable Shaft Lubricating Cap.....	
K411	Driver Gear and Arbor.....		B63F	Disc and Stem.....		C29	Turntable Shaft Felt Washer.....	
B98A	Spring Barrel Flange Screw.....		C403	Governor Worm Gear.....			Also See Page 38	
K60	Spring.....			<b><u>MOTOR FRAME CASTING UNIT</u></b>			<b><u>WINDING CRANK UNIT</u></b>	
B62	Oil Plug Screw.....		H1	Motor Frame Casting.....		H134	Fibre Washer for Winding Shaft.....	
K16	Spring Barrel Shaft.....		H23	Intermediate Gear Pin.....		3-8	Winding Shaft Collar Set Screw.....	
K132	Spring Barrel Washer.....		H405	Intermediate Gear.....		F134	Winding Shaft Thrust Washer.....	
K412	Lower Spring Arbor and Rivet.....			<b><u>REGULATOR UNIT</u></b>		H10	Winding Ratchet.....	
K61	Spring Separator.....		H408	Equalizer Lever.....		H11	Winding Ratchet Cover.....	
K413	Winding Gear and Arbor.....		H407	Indicator Assembled, G. P.....		H12	Winding Ratchet Pin.....	
	<b><u>GOVERNOR UNIT</u></b>		G40	Regulator Arm Screw.....		K422	Winding Crank and Screw Block Plate.....	
B65	Governor Spring Washer.....		H35	Lock Nut for Regulator Arm.....		2-109	Escutcheon Washer.....	
B69	Governor Nut Set Screw.....		G34	Indicator Spring.....		3-108	Escutcheon only, N. P.....	
B418	Governor Spring and Weight.....			<b><u>TURNTABLE UNIT</u></b>			<b><u>TOP PLATE UNIT</u></b>	
B73	Governor Bearing Set Screw.....		H18	Turntable Shaft.....		G78	Motor Board Screw.....	
B67	Governor Spring Screw.....		H140	Turntable Shaft Collar.....		H85	Top Plate Washer.....	
B68A	Governor Spring Nut.....						Also See Page 39	



Order by Code Number and Description