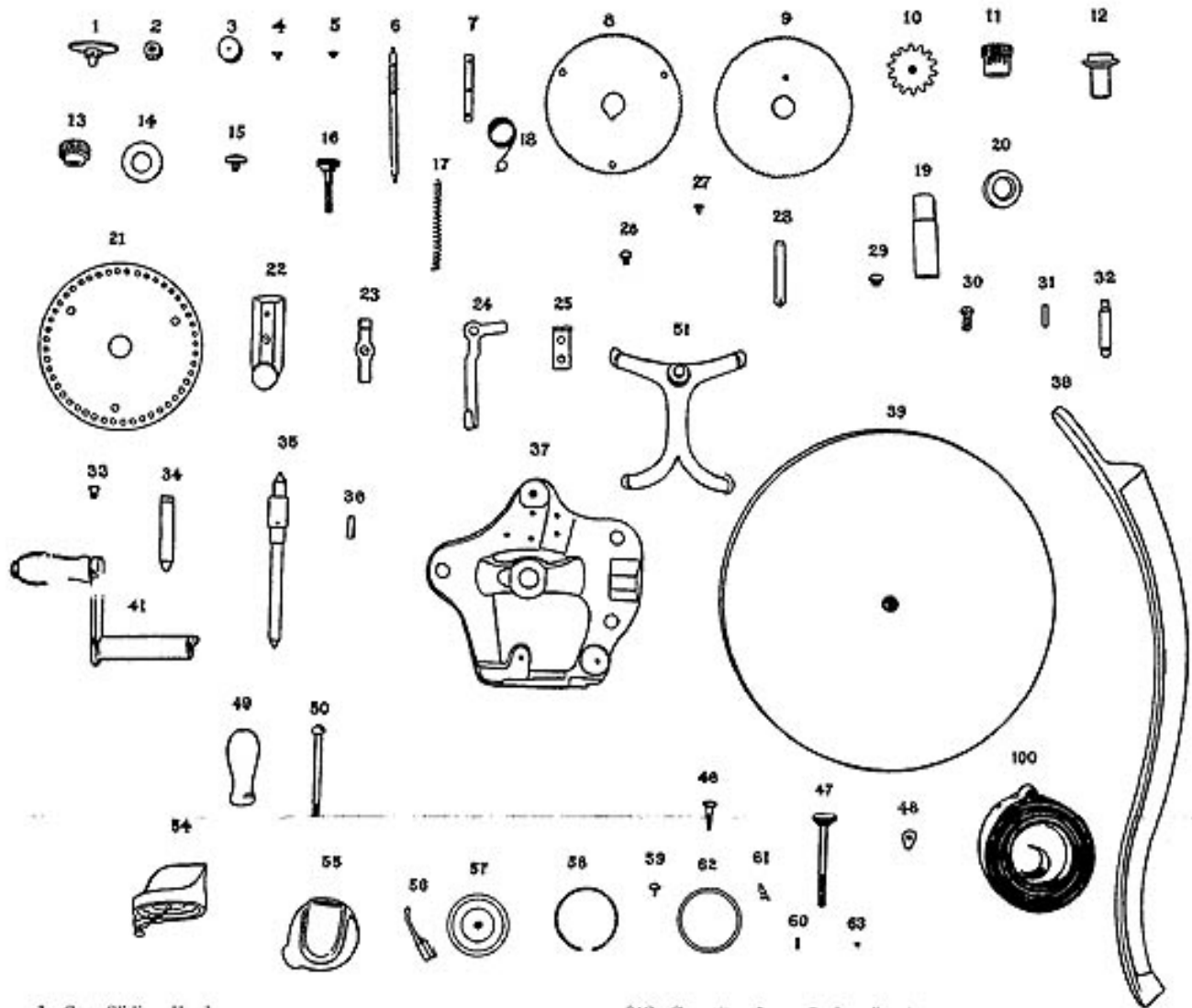
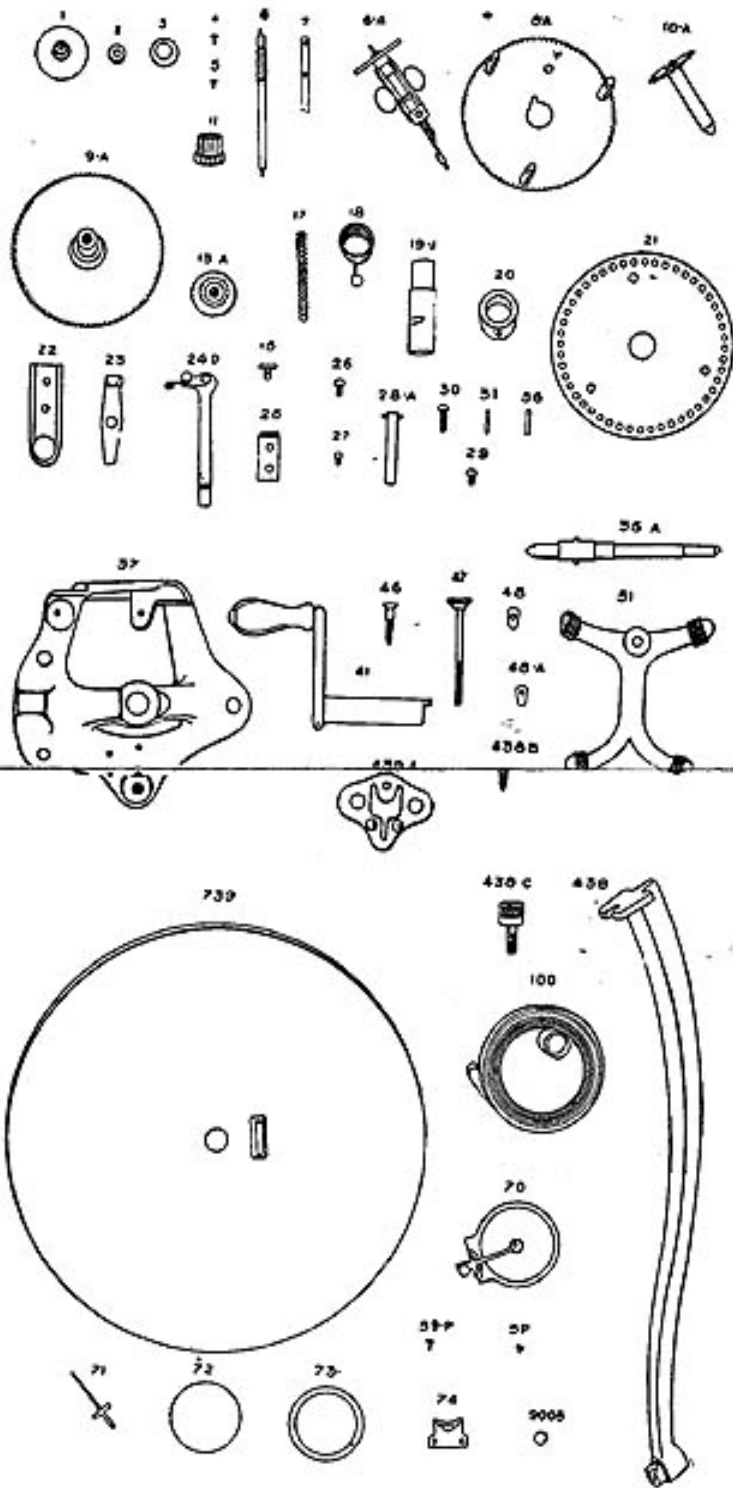


Price List of Parts of Busy Bee Grand Machine



1—Gov. Sliding Head	24A—Gov. Stop Lever Spring
2—Gov. Stop	24B— " " Stud
3—Gov. Weight	
4—Gov. Screw, large	
5—Gov. Screw, small	
6—Gov. Worm Shaft	
7—Gov. Spring	
8—Bhl. Gear	
9—Intermediate Gear	
10—Winding Pinion	
11—Bhl. Wheel Pinion	
12—Intermediate Gear Stud	
13—Turn Table Driving Pinion	
14—Worm Wheel	
15—Regulating Lever and Stopping Lever Hinge Screw	
16—Horn Supporting Arm Thumb Screw	
17—Speed Regulating Thumb Screw Friction Spring	
18—Intermediate Gear Retaining Spring	
19—Bhl. Center Bushing	
20—Bhl. Center Bushing Collar	
21—Large Winding Gear	
22—Turn Table Shaft Lower Bearing Casting	
23—Gov. Speed Regulator	
24—Gov. Stop Lever	
25—Gov. Back Bearing	
26—Gov. Back Bearing Screw	
27—Gov. Front Bearing Screw	
28—Intergear Shaft	
29—Intergear Retaining Spring Screw	
30—Center Bushing Int. Gear Shaft Screw Turn Table Bottom Screw	

24C—Gov. Stop Lever Spring, Leather	46—Rawhide Bearing Top Plate
31—Worm Wheel Bhl. Pin, Int. Gear Taper Pin	47—Winding Crank Handle Screw
32—Spring Bhl. Pin	48—Winding Crank Handle
33—Spring Hook Screw	49—Winding Crank Handle
34—Winding Pinion Shaft	50—Winding Crank Handle Screw
35—Turn Table Shaft	51—Horn Cradle (complete)
36—Turn Table Shaft Pin, Winding Shaft Pin	53—Horn Cradle, Rubber
37—Motor Casting	54—Sound Box (complete)
38—Arm Casting	55— " " Body
39—Turn Table Casting	56— " " Needle Arm
40—Turn Table Felt	57— " " Diaphragm
41—Winding Crank	58— " " Steel Ring
42—Wood Cabinet	59— " " Needle Arm Screw
43—Motor Frame Wood Screw	60— " " Needle Arm Pivot Screw
44—Long Speed Regulating Thumb Screw	61— " " Needle Arm Spring
45—Rawhide Bearing	62— " " Rubber Gasket
46—Rawhide Bearing Top Plate	63— " " Needle Arm Center Screw
47—Winding Crank Handle Screw	64—Horn Cradle Screw Pin
48—Winding Crank Handle	65— " " Nut
49—Winding Crank Handle	100—Main Spring
50—Winding Crank Handle Screw	48A—Rawhide Bearing
51—Horn Cradle (complete)	
53—Horn Cradle, Rubber	
54—Sound Box (complete)	
55— " " Body	
56— " " Needle Arm	
57— " " Diaphragm	
58— " " Steel Ring	
59— " " Needle Arm Screw	
60— " " Needle Arm Pivot Screw	
61— " " Needle Arm Spring	
62— " " Rubber Gasket	
63— " " Needle Arm Center Screw	
64—Horn Cradle Screw Pin	
65— " " Nut	
100—Main Spring	
48A—Rawhide Bearing	



1—Gov. Sliding Head	101—Horn Rubber
2—Gov. Stop	
3—Gov. Weight	
4—Gov. Screw, large	
5—Gov. Screw, small	
6—Gov. Worm Shaft	
7—Gov. Spring	
6a—Gov. Assembled	
8a—Bbl. Gear and Pins, Assembled	
10a—Winding Pinion and Shaft, Assembled	
9a—Intermediate Gear and Stud, Assembled	
11—Bbl. Wheel Pinion	
13a—Turn Table Driving Pinion and Worm Wheel, Assembled	
15—Reg. Lever and Stopping Lever Hinge Screw	
17—Speed Regulating Thumb Screw Friction Spring ..	
18—Intermediate Gear Retaining Spring	
19a—Bbl. Centre Bushing and Spring Hook Screw, Assembled	
20—Bbl. Center Bushing Collar	
21—Large Winding Gear	
22—Turn Table Shaft Lower Bearing Casting	
23—Gov. Speed Regulator	
24—Gov. Stop Lever, Spring, Stud, and Leather, Assembled	
25—Gov. Back Bearing	
26—Gov. Back Bearing Screw	
27—Gov. Front Bearing Screw	
28a—Inter. Gear Shaft and Pin, Assembled	
29—Inter. Gear Retaining Spring Screw	
30—Center Bushing Inter. Gear Shaft Screw, Turn Table Bottom Screw	
31—Spring Bbl. Pin	
35a—Turn Table Shaft and Pin, Assembled	
36—Turn Table Shaft Pin, Winding Shaft Pin	
37—Motor Casting	
41—Winding Crank, Complete	
46—Motor Frame Wood Screw	
47—Long Speed Regulating Thumb Screw	
48—Rawhide Bearing Top Plate	
48a—Rawhide Bearing	
51—Horn Craute, Complete	
435—Arm Casting	
438a—Arm Casting Bracket	
438b—Arm Casting Bracket, Wood Screw	
438c—Arm Casting Bracket, Thumb Screw	
739—Turn Table, Complete	
100—Main Spring	
70—Sound Box, Complete	
71—Sound Box Needle Arm	
72—Sound Box Diaphragm	
73—Sound Box Rubber Gasket	
74—Sound Box Needle Arm Spring	
59p—Sound Box Needle Arm Screw	
3p—Sound Box Needle Arm Spring Screw	
900p—Sound Box Needle Arm Center Rest	
Busy Bee Wood Cabinet, No. 7	